

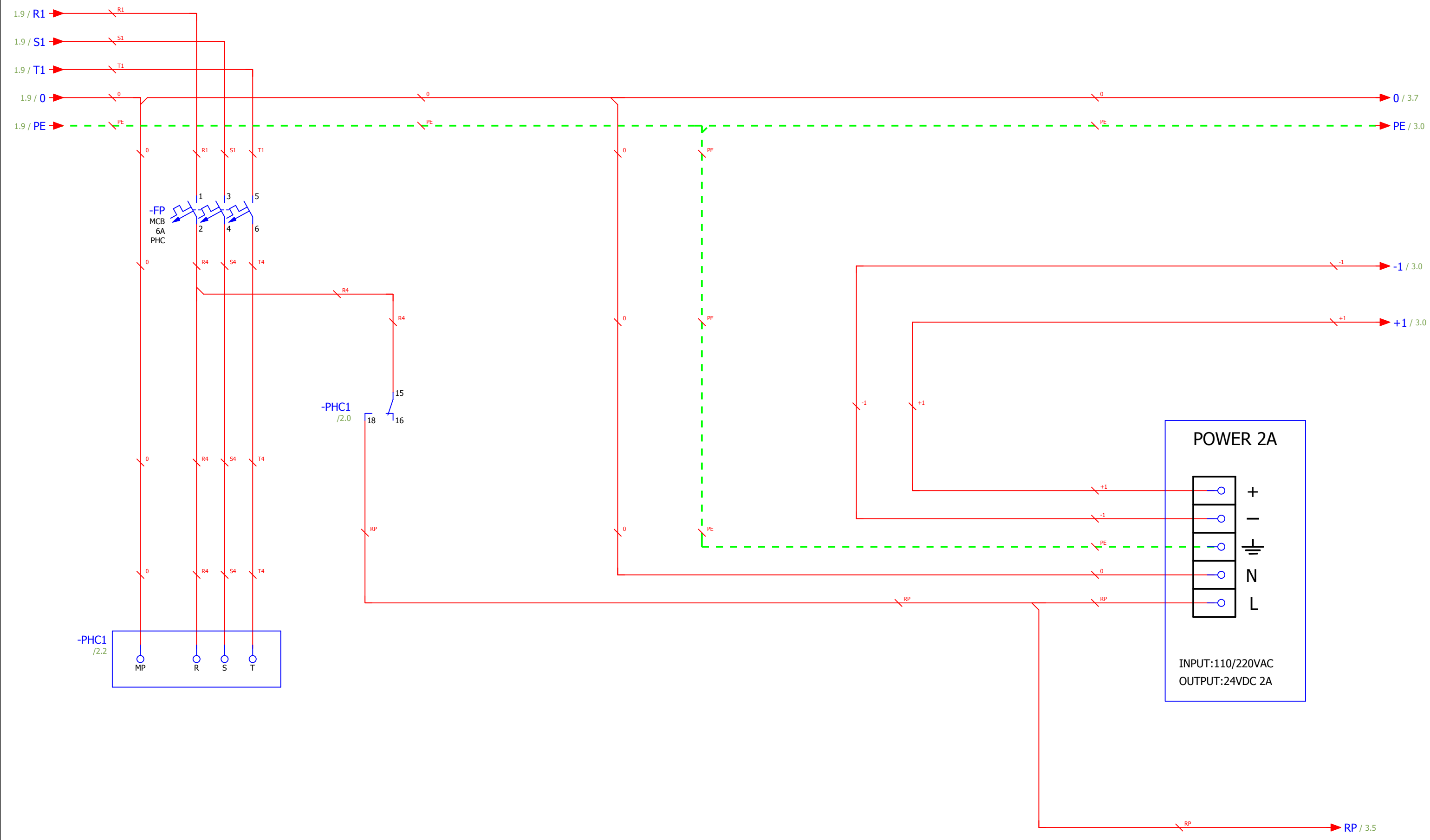
Date	9/17/2023		
Ed	MASIH		
Appr			
Modification	Date	Name	Original


MODE1-2PUMP	
Replacement of	Replaced by

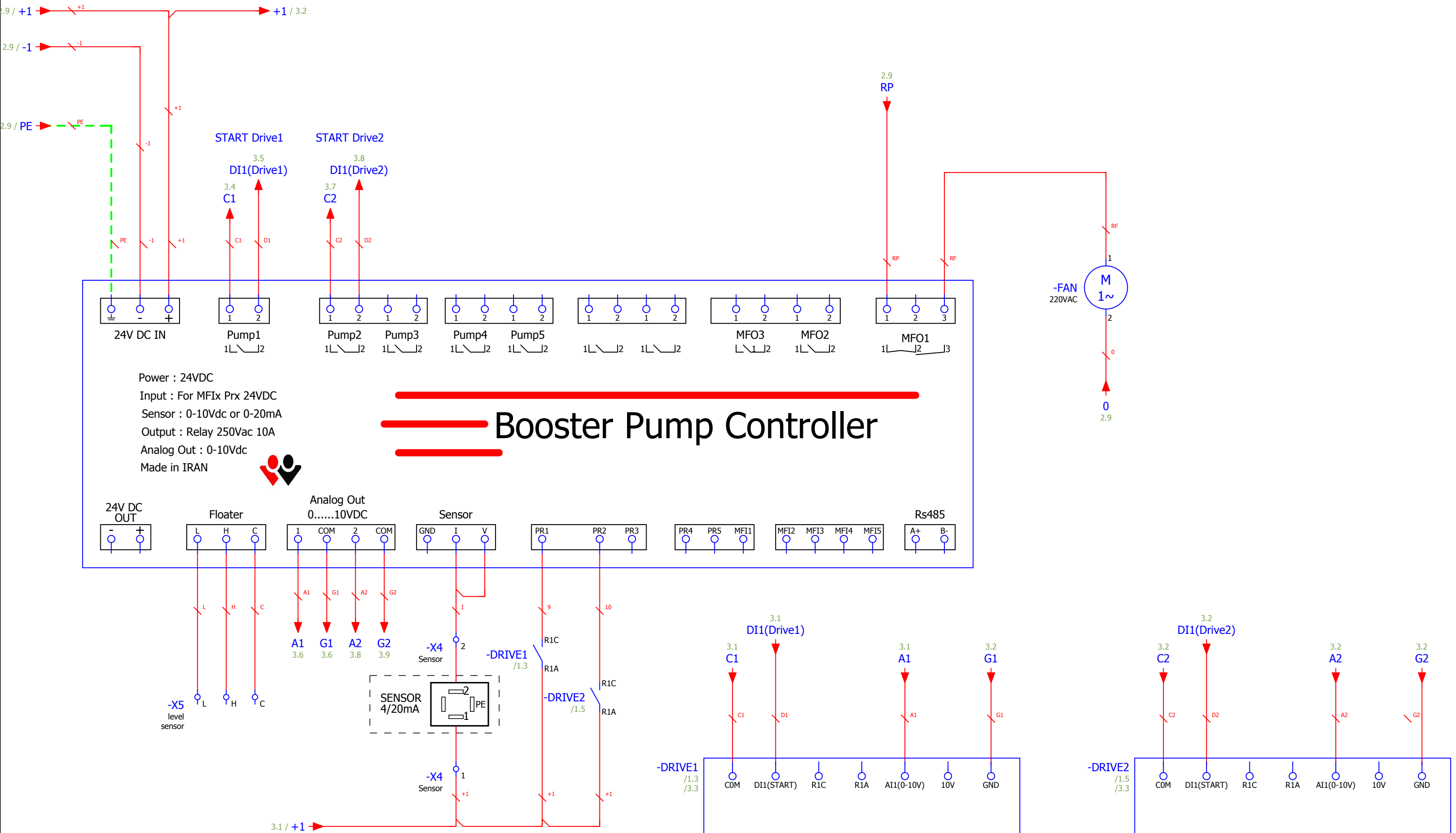


Power

IEC_tp1003	Page 1
	Page 1 / 4

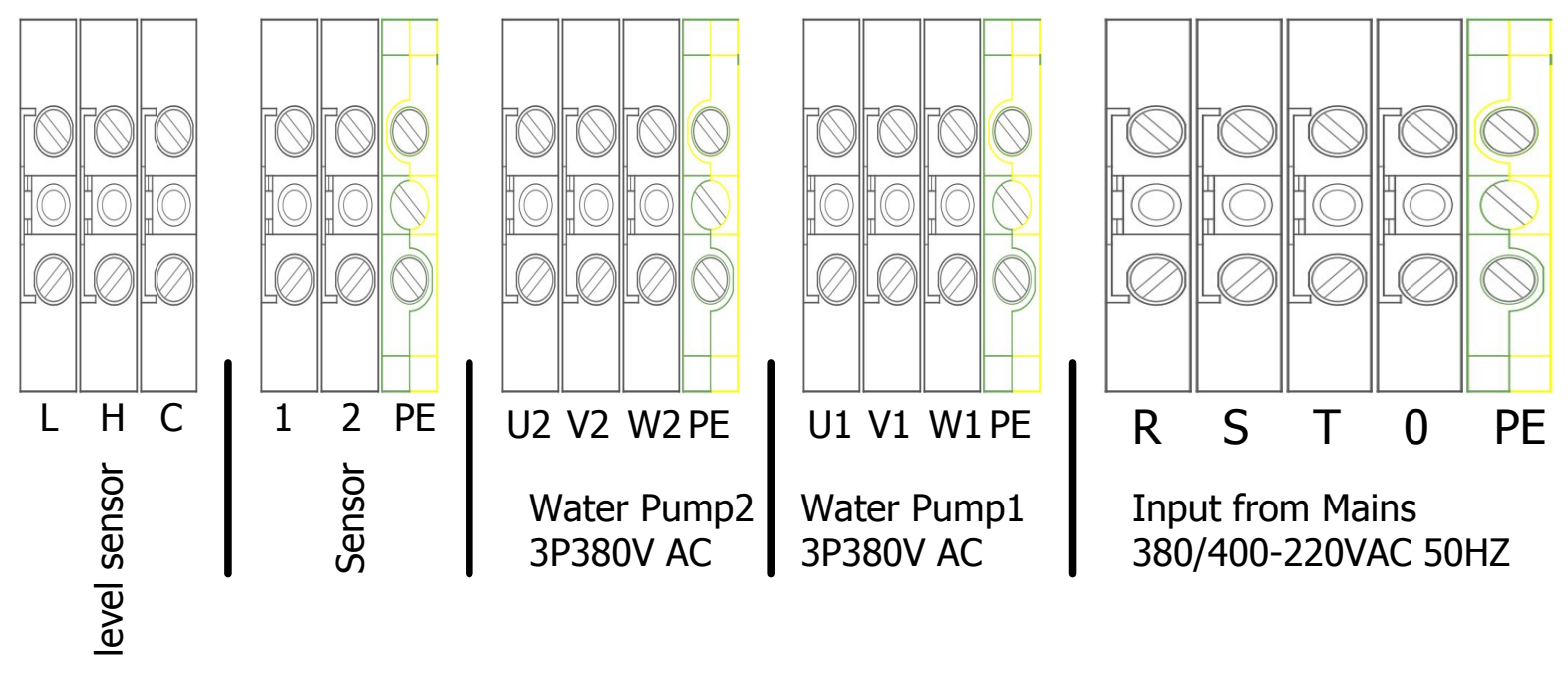
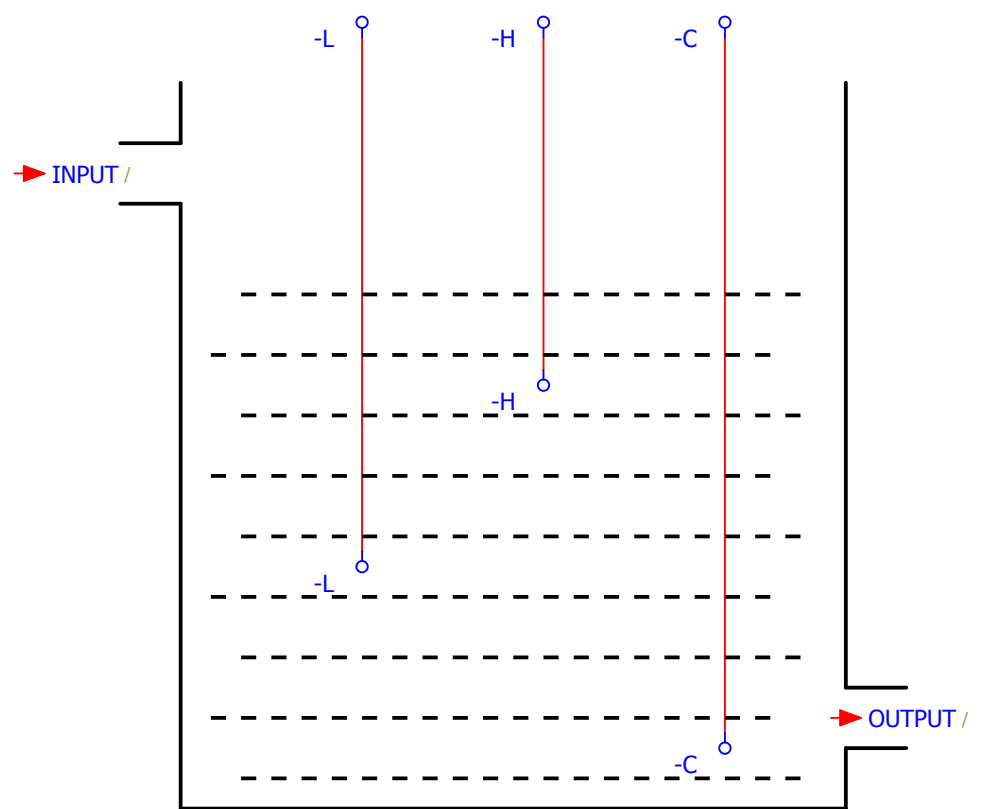


			Date	9/17/2023	MODE1-2PUMP		Power Supply		
			Ed	MASIH					
			Appr						
Modification	Date	Name	Original		Replacement of	Replaced by		IEC_tp1003	Page 2 / 4



				Date	9/17/2023	MODE1-2PUMP		Controller	
				Ed	MASIH				
				Appr					
Modification	Date	Name	Original	Replacement of	Replaced by			IEC_tp1003	Page 3 / 4

level sensor



Date	9/17/2023	MODE1-2PUMP			
Ed	MASIH				
Appr					
Modification	Date	Name	Original	Replacement of	Replaced by



Terminal