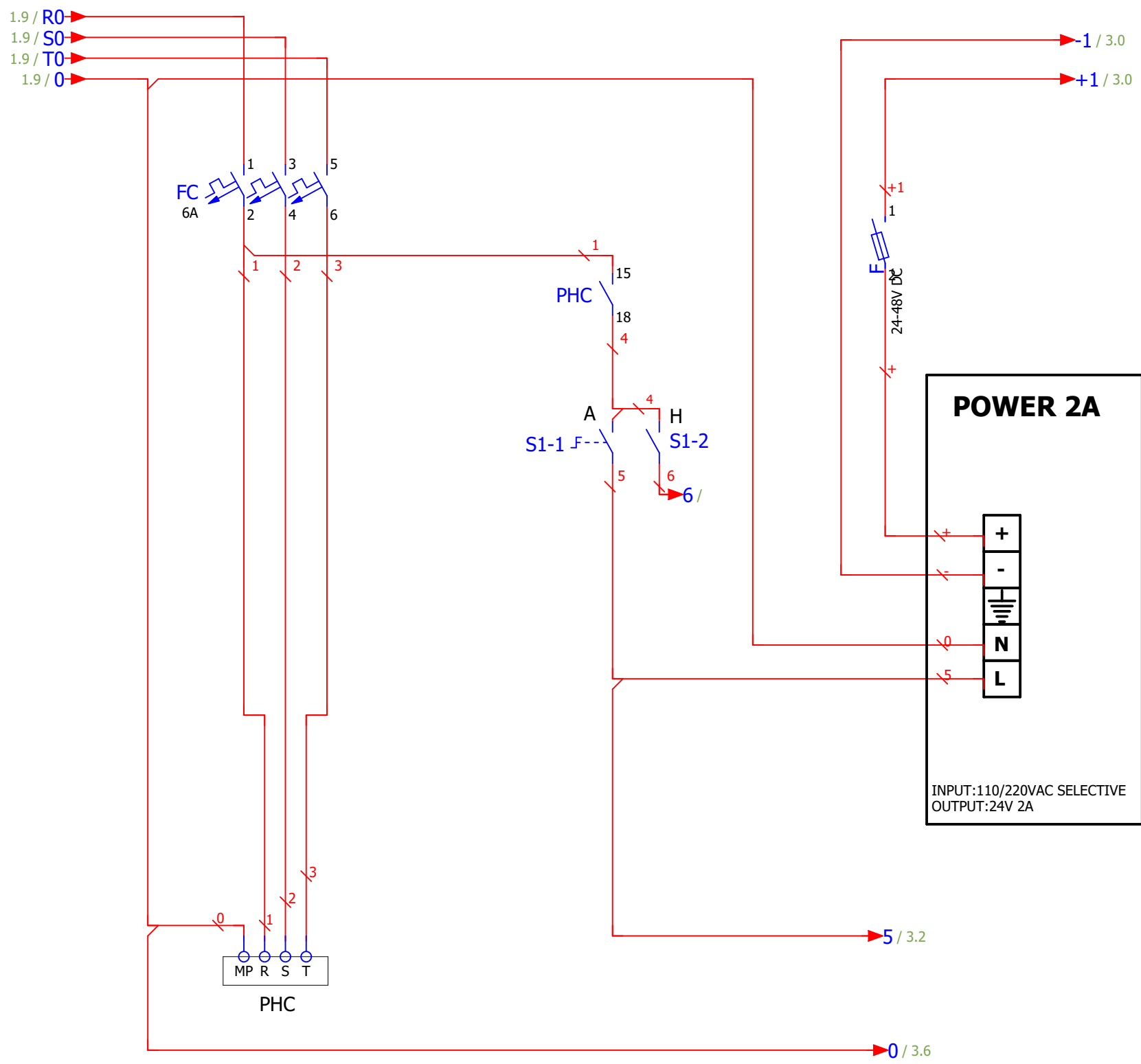


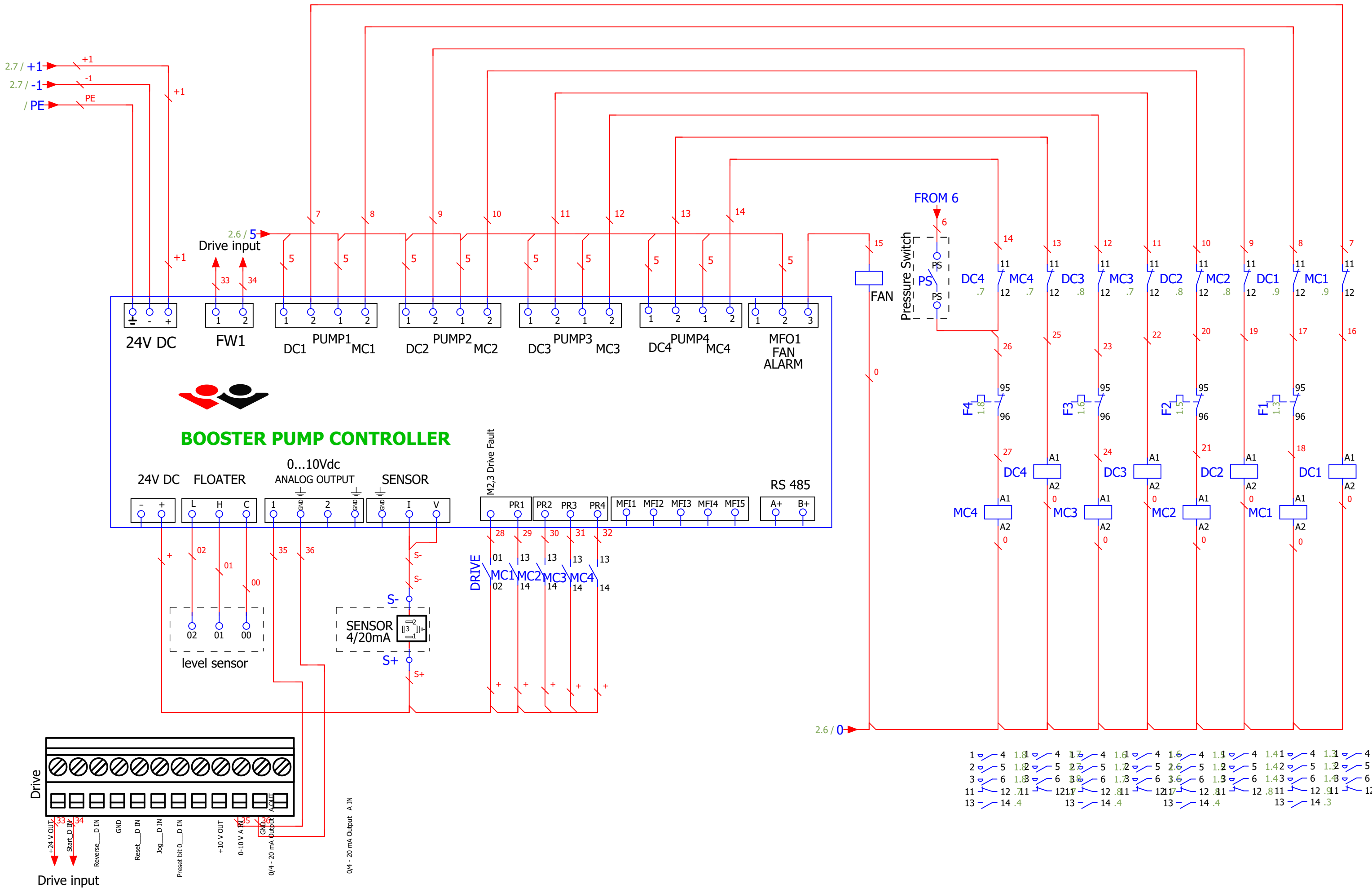
		Date						=
		User	RAYANSYSTEM					+
		Check.	4/25/2022					
Change	Date	Name	Stand.	First	Created for			Pg. 1
								4 Pg.





				Date	4/25/2022							
				Ed.	RAYANSYSTEM							
				Appr								
Modification	Date	Name	Original	Replacement of	Replaced by					Page	2	
											Page	4





Date	4/25/2022				
Ed.	RAYANSYSTEM				
Appr					
Modification	Date	Name	Original	Replacement of	Replaced by



